

SOLAR WATER HEATING
SYSTEMS CERTIFICATION AND
RATING



SRCC OG-300

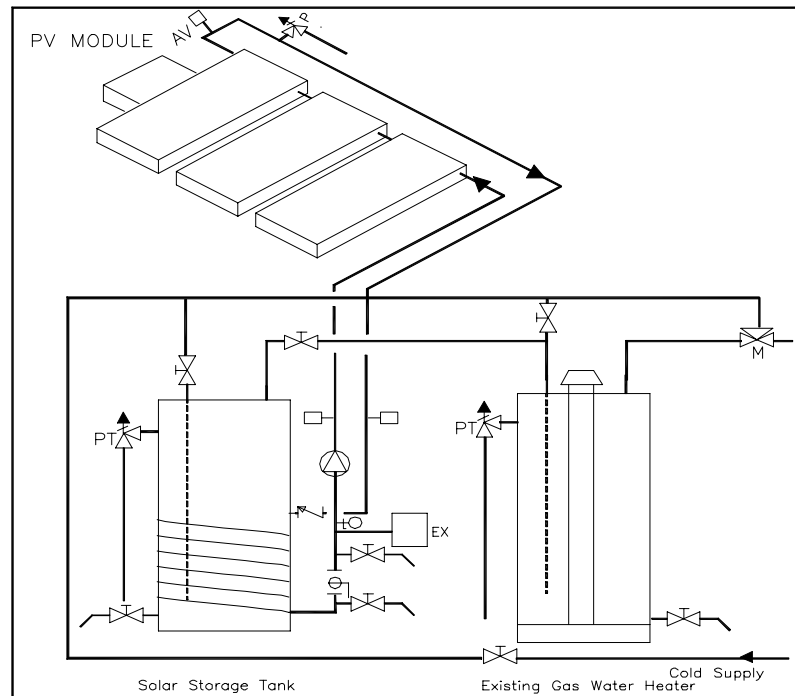
CERTIFIED SOLAR WATER HEATING SYSTEM

SUPPLIER: ACR Solar International
5840 Gibbons Dr.
Suite G
Carmichael, CA 95608
(916) 481-7200
(916) 481-7203 Fax
(888) 801-9060

SYSTEM NAME: Skyline System 5
SYSTEM TYPE: Direct Forced Circulation

Description: Glazed Flat-Plate Collector, Photovoltaic Panel Controller, Tank Wrap Around Heat Exchanger with a Double Wall and Positive Leak Detection, No Load Side Heat Exchanger, Fluid Class II, Freeze Tolerance: -47.7 C (-54 F), Gas Auxiliary Tank

System Model Name	Cert 300-#	Cert Date	Collector Panel Manufacturer	Collector Panel Name	Total Panel Area (Sq-m)	Total Panel Area (Sq-ft)	Solar Tank Vol (l)	Solar Tank Vol (gal)	Aux Tank Vol (l)	Aux Tank Vol (gal)	SEF
200153C80EX2TG	2001019B	12/9/2002	ACR Solar International	20-01	5.6	60.2	303	80	189	50	1.0



OG300 System Reference: 2001019B

April 2008

Certification must be renewed annually. For current status contact:
SOLAR RATING & CERTIFICATION CORPORATION

c/o FSEC ♦ 1679 Clearlake Road ♦ Cocoa, FL 32922 ♦ (321) 638-1537 ♦ Fax (321) 638-1010