

SOLAR WATER HEATING
SYSTEMS CERTIFICATION AND
RATING



SRCC OG-300

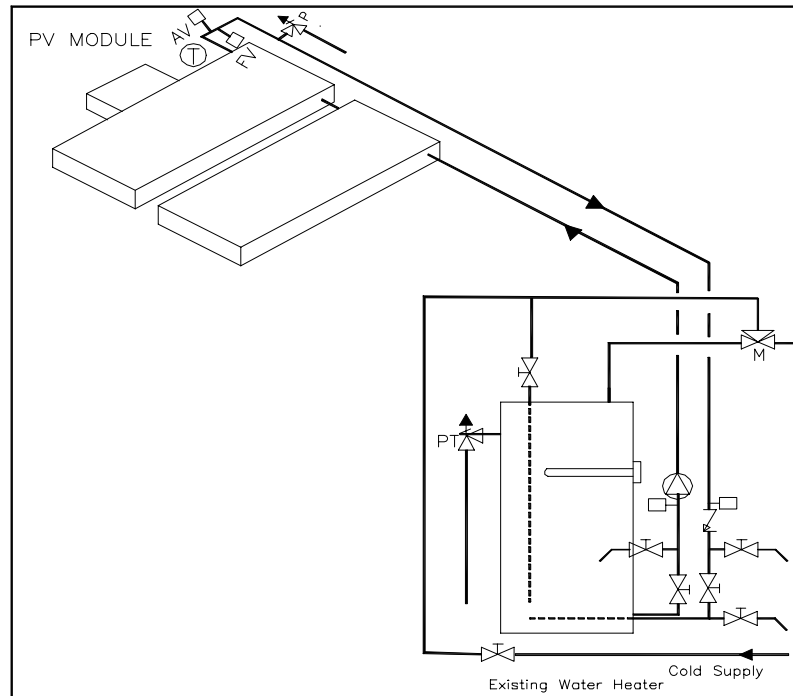
CERTIFIED SOLAR WATER HEATING SYSTEM

SUPPLIER: ACR Solar International
5840 Gibbons Dr.
Suite G
Carmichael, CA 95608
(916) 481-7200
(916) 481-7203 Fax
(888) 801-9060

SYSTEM NAME: Skyline System 3
SYSTEM TYPE: Direct Forced Circulation

Description: Glazed Flat-Plate Collector, Photovoltaic Panel Controller, No Supply Side Heat Exchanger, No Load Side Heat Exchanger, Fluid Class I, Freeze Tolerance: -1.11 C (30 F), Electric Auxiliary Tank

System Model Name	Cert 300-#	Cert Date	Collector Panel Manufacturer	Collector Panel Name	Total Panel Area (Sq-m)	Total Panel Area (Sq-ft)	Solar Tank Vol (l)	Solar Tank Vol (gal)	Aux Tank Vol (l)	Aux Tank Vol (gal)	SEF
200132C50	1999003B	5/24/2000	ACR Solar International	20-01	3.7	40.1			189	50	2.2
200132C80	1999003F	12/15/2005	ACR Solar International	20-01	3.7	40.1			303	80	2.1



OG300 System Reference: 1999003B

April 2008

Certification must be renewed annually. For current status contact:
SOLAR RATING & CERTIFICATION CORPORATION

c/o FSEC ♦ 1679 Clearlake Road ♦ Cocoa, FL 32922 ♦ (321) 638-1537 ♦ Fax (321) 638-1010