

SOLAR WATER HEATING  
SYSTEMS CERTIFICATION AND  
RATING



SRCC OG-300

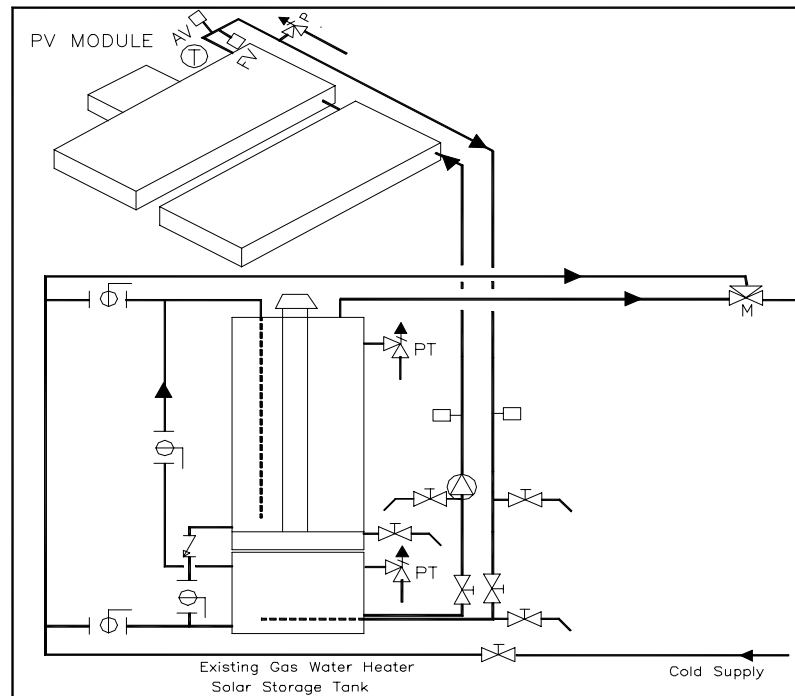
**CERTIFIED SOLAR WATER HEATING SYSTEM**

SUPPLIER: ACR Solar International  
5840 Gibbons Dr.  
Suite G  
Carmichael, CA 95608  
(916) 481-7200  
(916) 481-7203 Fax  
(888) 801-9060

SYSTEM NAME: Skyline System 3  
SYSTEM TYPE: Direct Forced Circulation

Description: Glazed Flat-Plate Collector, Photovoltaic Panel Controller, No Supply Side Heat Exchanger, No Load Side Heat Exchanger, Fluid Class I, Freeze Tolerance: -6.66 C ( 20 F), Gas Auxiliary Tank

System Model Name	Cert 300-#	Cert Date	Collector Panel Manufacturer	Collector Panel Name	Total Panel Area (Sq-m)	Total Panel Area (Sq-ft)	Solar Tank Vol (l)	Solar Tank Vol (gal)	Aux Tank Vol (l)	Aux Tank Vol (gal)	SEF
200132C50T20G	2002005A	12/9/2002	ACR Solar International	20-01	3.7	40.1	76	20	189	50	0.8



OG300 System Reference: 2002005A

April 2008

Certification must be renewed annually. For current status contact:  
SOLAR RATING & CERTIFICATION CORPORATION

c/o FSEC ♦ 1679 Clearlake Road ♦ Cocoa, FL 32922 ♦ (321) 638-1537 ♦ Fax (321) 638-1010