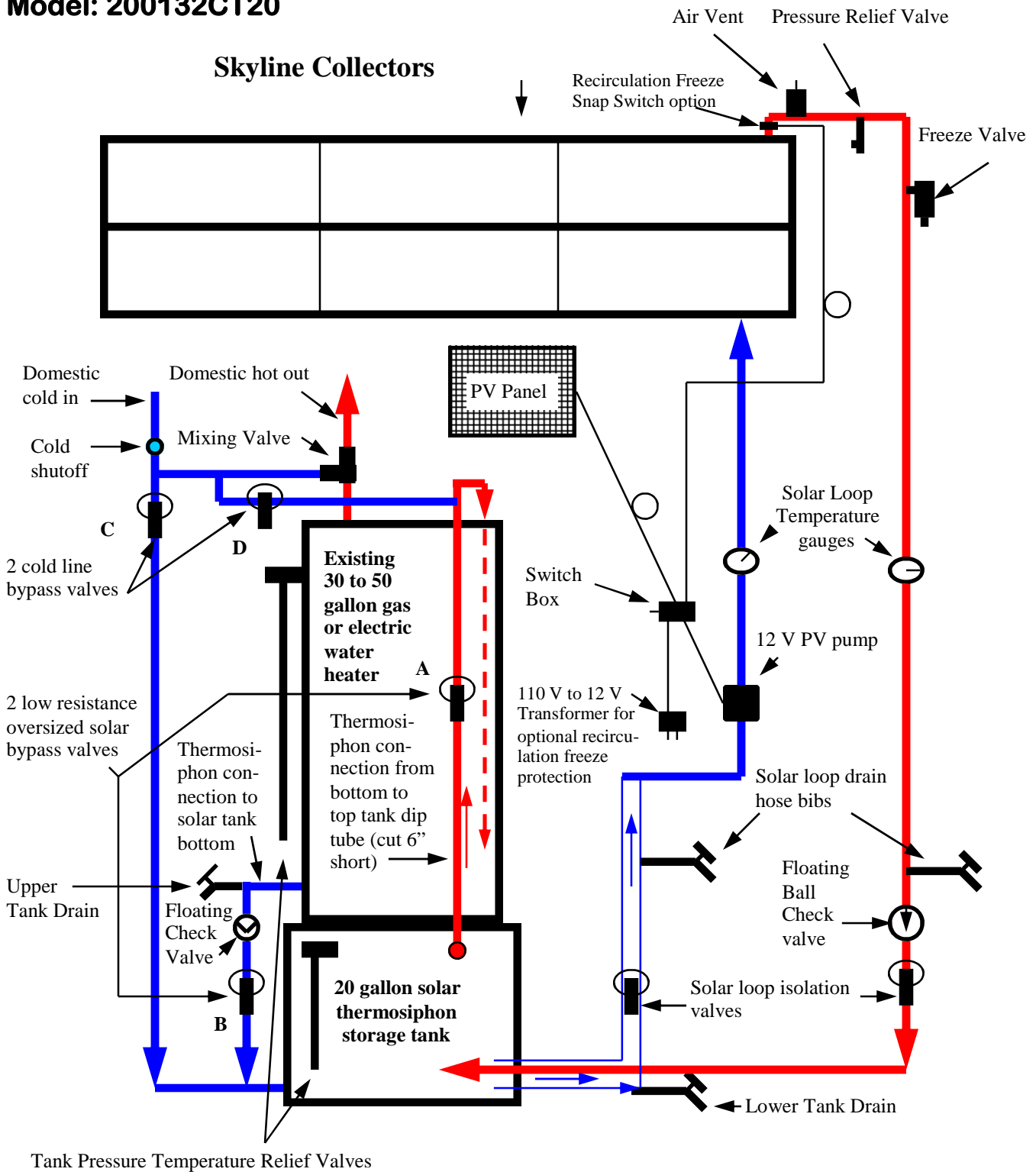


Model: 200132CT20



SRCC Required Solar Bypass Valves

Normal Solar Operation: A, B and C are Open and D is Closed

Solar Tank bypass: A, B and C are Closed and D is Open