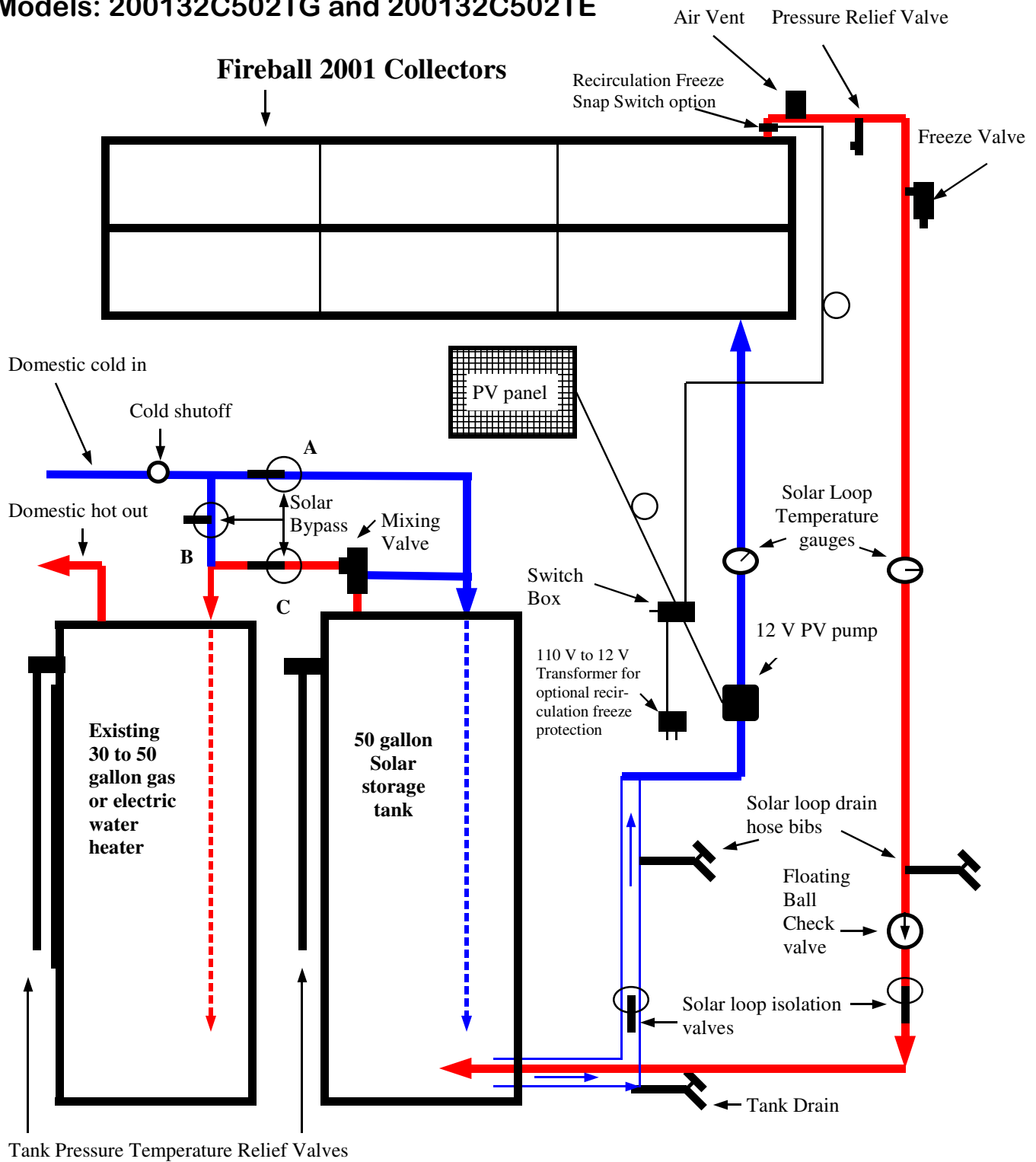


**Models: 200132C502TG and 200132C502TE**



**SRCC Required Solar Bypass Valves**

**Normal Solar Operation:** A, and C are Open and B is Closed

**Solar Tank bypass:** A, and C are Closed and B is Open